

# FURUTECH

PURE TRANSMISSION



## *Furutech's Top-Tier GTX Receptacles Refinement has a New Name...*

### ***The Pure Transmission Mission***

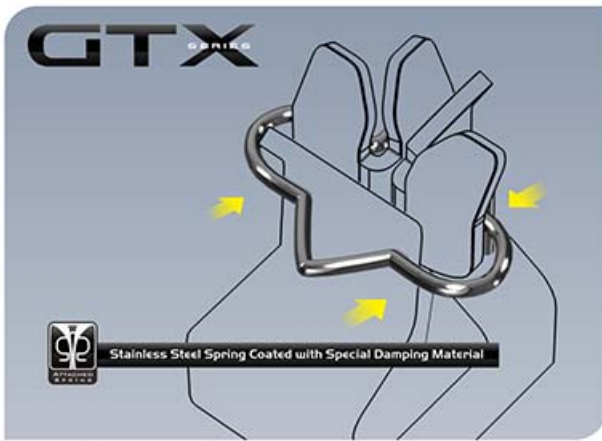
A very Furutech power product, manifesting a devotion to best performance in every element of AC and signal transfer. Considering that what you actually hear is in a very real sense the direct product of the incoming AC then the final few feet are of prime importance for best performance.

Of course everyone would love to make pure-copper receptacles, but its malleability – lack of stiffness – makes pure copper a poor choice. That's why you'll find phosphor bronze or brass in some receptacles. Furutech's intense engineering scrutiny has resulted in an industry-first, a technique allowing us to use special Furutech 24k gold- or rhodium-plated  $\alpha$  (Alpha) pure copper conductors strengthened and sprung by our innovative nonmagnetic Stainless Steel Conductor Spring System that keeps a firm grip yet won't damage male connector blades or their plated surfaces. Even the screw-down pressure plates are curved to maximize contact area. The GTX receptacle can be summed up in a word; virtuoso!

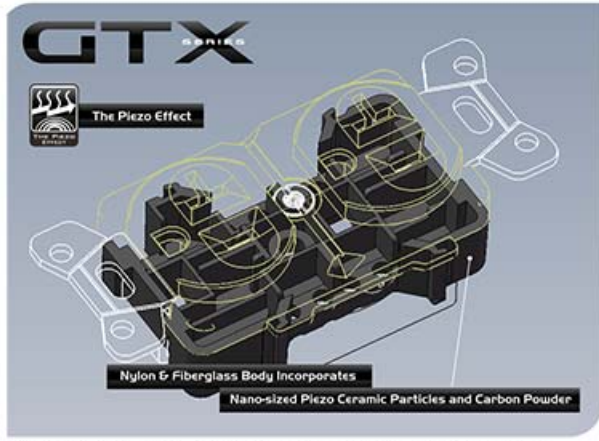
### ***Features***

- Rhodium or gold-plated  $\alpha$  (Alpha) Pure Copper Conductor (0.8mm)
- Nonmagnetic stainless conductor spring system
- Body material: Nylon/fiberglass with piezo ceramic and carbon damping material
- Cover material: Polycarbonate
- Parts set with nonmagnetic 2.0mm-thick stainless brace plate
- Specified for wire diameters of 4mm (set screw)
- Dimensions: 104.0 mm (L) x 47.2 mm (W) x 28.0 mm (H)
- Total attention to detail and build quality extends right down to a specially designed patent-pending conductor pressure plate (see below) that increases contact area
- Furutech spade terminal FP-209-10 recommended for 10 AWG wire

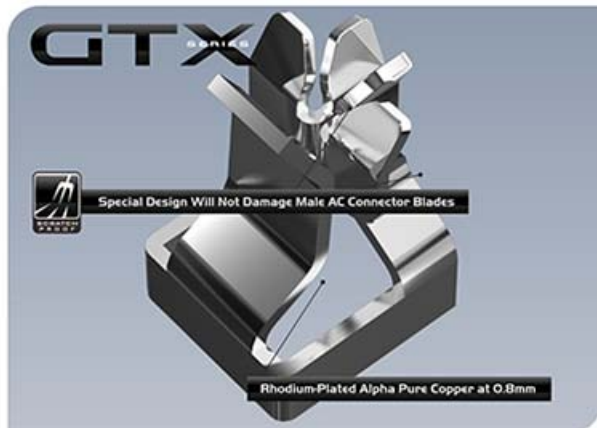
***Feel, experience and communicate with music and sound!***



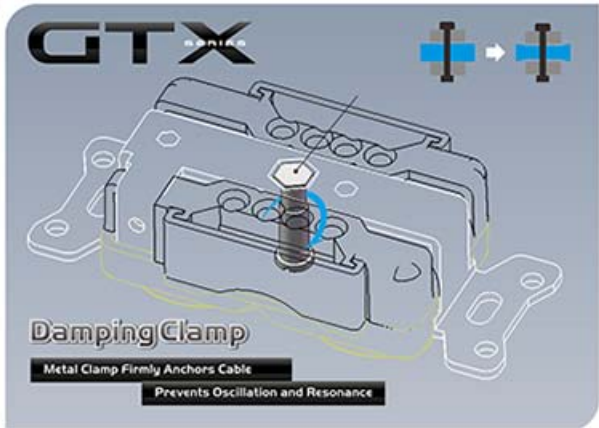
Special Damping Material Coats Stainless Spring



Nano Piezo Ceramic Particles and Carbon Powder Incorporated into Nylon and Fiberglass Body



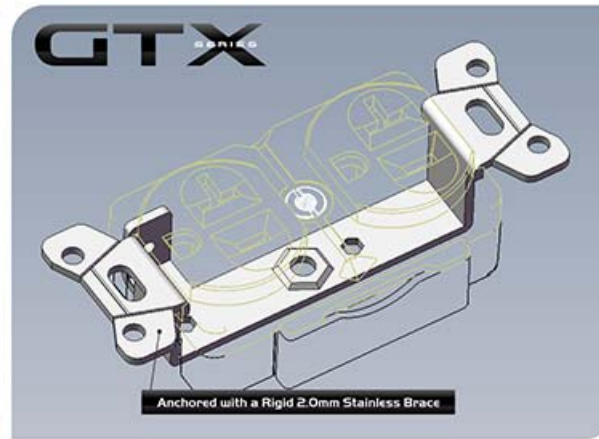
Special Design Won't Damage Male AC Connector Blades with 0.8mm Rhodium-Plated Alpha Pure Copper



Metal Clamp Firmly Anchors Cable Prevents Oscillation and Resonance



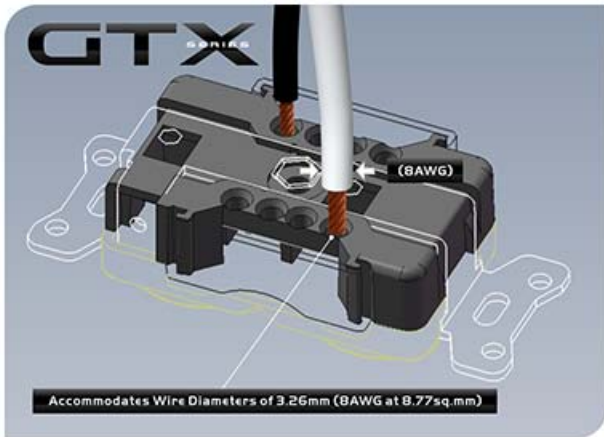
Takes Spade Lugs and Bare Wire



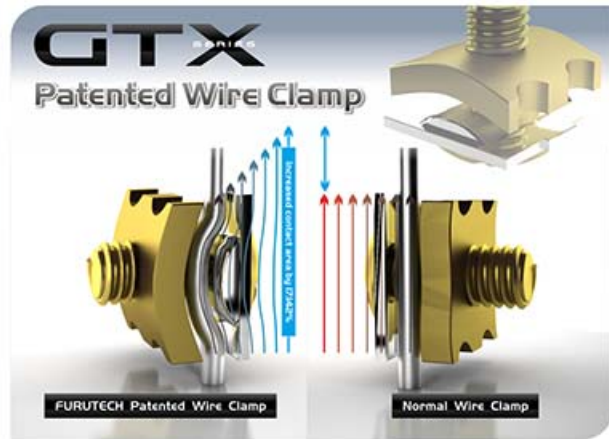
Anchored by a Rigid 2.0mm Stainless Back Brace

**About Furutech**

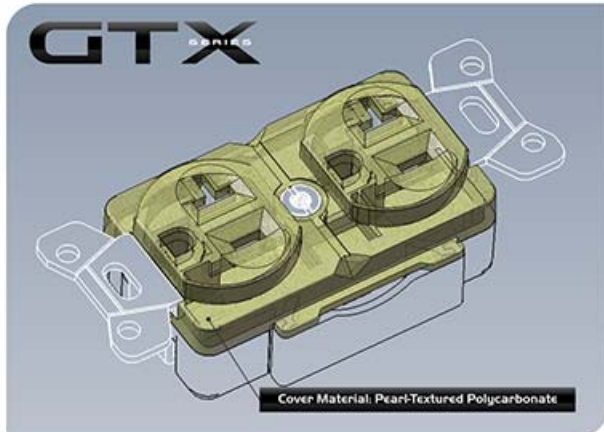
Furutech makes a wide variety of high performance 15A and 20A A/V cable and power connectors and parts, as well as distribution/filtering products including the 120Hz standard xv1.3 HDMI cable, GT2 USB 2.0 and GT3 USB 3.0 cables, Ag-12 Silver Tonearm Cable, The Silver Arrows Tonearm Cable, La Source Headshell Wires, Monza LP Stabilizer Weight, the new Lineflux and Evolution II series, Pure Power 6, e-TP4+4, e-TP609, e-TP615 and e-TP60 Power Distributors, and e-TP80 Power Filters, deMag Disc and Cable Demagnetizer, PC-2 Disc Pure Cleaner, and their own very special NANO Liquid Contact Enhancer, plus even more fine cable and OEM products.



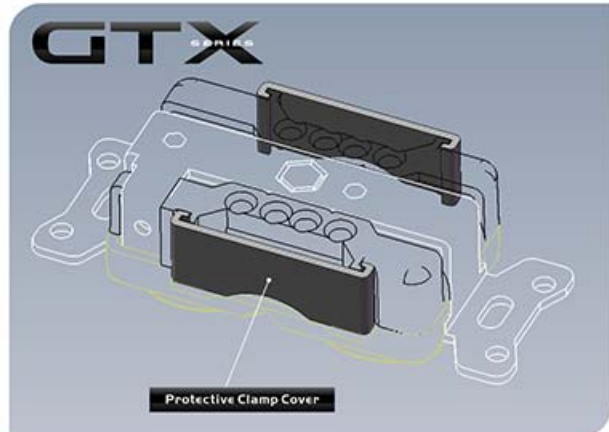
Accommodates 8AWG Conductors



Furutech Patented Wire Clamp and Typical Clamp



Cover Material Pearl-Textured Polycarbonate



Protective Clamp Cover

*All metallic parts are treated with the*

*\*FURUTECH  $\alpha$  (Alpha) Process (Super Cryogenic & Demagnetizing Treatment.)*

### **Awards**

DeMag Wins CES Best of Innovations '07 • e-TP609 Wins Absolute Sound Product of the Year Awards '07 • G-302A-18 Power Cord Wins 6moons Blue Moon Award '07 • Evolution Cables Wins Best of 2007 Awards Enjoy the Music • Reference III Cables Win Absolute Sound Editors' Choice '07/'08 • AG-12 Phono Cable Wins the SoundStage Network's Reviewers' Choice Award '08 • Ag-12 Phono Cable is Tone Audio's Exceptional Value Award '08 • Monza LP Stabilizer, Silver Arrows Phono Cable, La Source Headshell Extensions All Win Tone Audio's Accessory Products of the Year • xv1.3 HDMI Cable Wins Positive Feedback's Brutus Award '08 • FI-50 Piezo Ceramic Series Connectors Win CES Best of Innovations '09 • Monza LP Stabilizer Wins Positive Feedback's Brutus Award '09 • Select Series Fuses Win Positive Feedback's Brutus Award '09 • GT2 USB Cable is Playback Recommended '09 • Torque Guard Speaker Binding Posts Innovations Honoree '10

### **Make A More Powerful Connection with Furutech!**

FURUTECH CO., LTD • [service@furutech.com](mailto:service@furutech.com) • [www.furutech.com](http://www.furutech.com)

Info • Press • Photos • Reviews

Jonathan Scull • Scull Communications • 212 807.0519

[jscull@scullcommunications.com](mailto:jscull@scullcommunications.com) • [www.scullcommunications.com](http://www.scullcommunications.com)

Images and press releases • [www.scullcommunications.com/pressresources.html](http://www.scullcommunications.com/pressresources.html)